

Important:

1. **You must charge the battery** for at least **2½ hours** prior to the first use.
 2. Maximum battery capacity is first reached after completing three complete charge and discharge cycles.
 3. Always use **Genuine Printek Media** to ensure optimal performance.
- **To load media:**
 - Move the Paper Door Release in the direction indicated in *Figure A* and open the Paper Door.
 - Move the media support as shown in *Figure B* and place the roll between the supports. Make sure the media rotates freely. Lay the leading edge of the media through the print head as shown in *Figure C*, and close the door.
 - **To install the battery:** Slide the battery into the battery compartment until the release lever on the battery snaps into place. You may remove the battery by pressing the release lever toward the bottom of the printer and pulling the battery out of the battery compartment.
 - **To charge the battery,** connect a power adapter (sold separately) to the appropriate power source and plug the output cable into the printer's Power Connector as shown in *Figure A*. The Battery Indicator will turn on indicating that the battery is being charged.
 - **To perform a self test,** press and hold the Paper Feed Button while turning on the printer with the Power Button.

Note: For more information, refer to the *MtP400 Series Operator's Manual*. You may download this manual at www.printek.com.

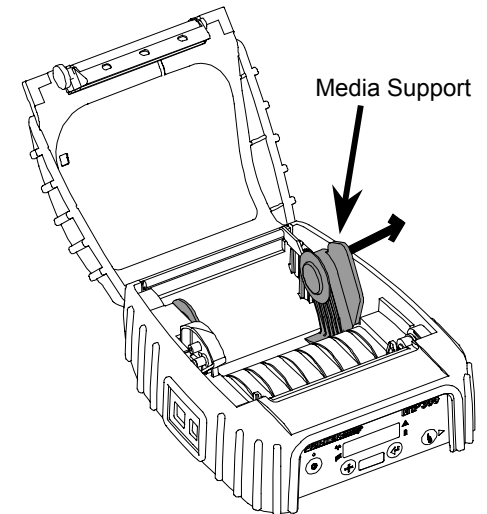


Figure B

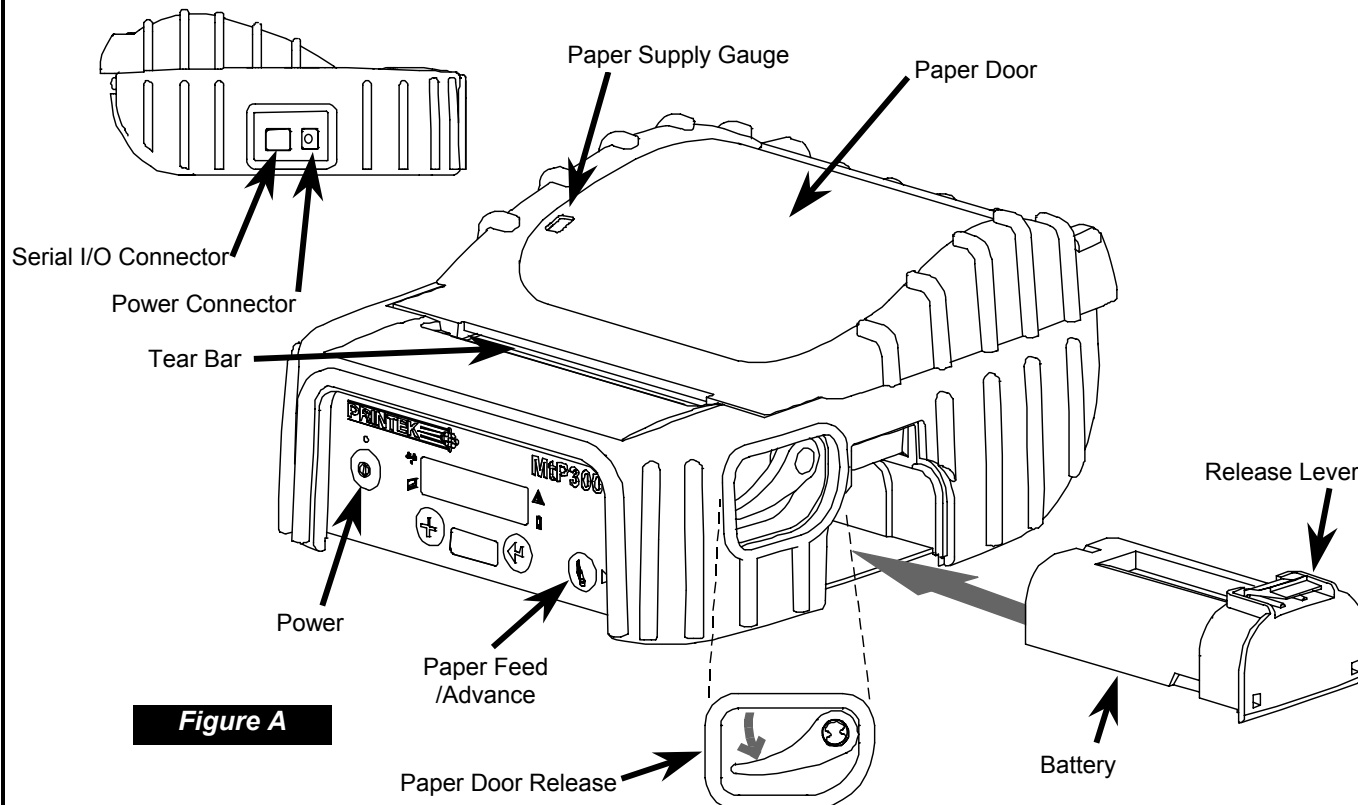


Figure A

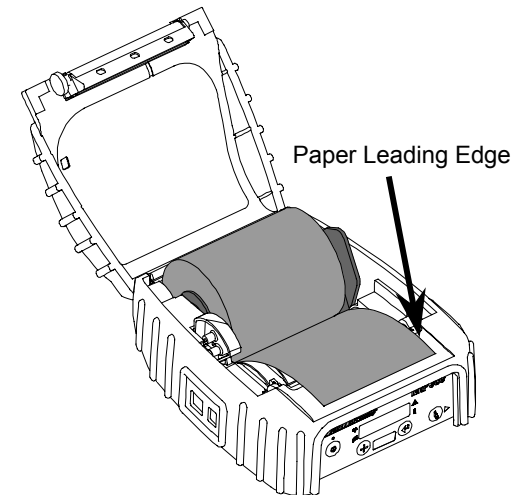


Figure C

Printer Setup

Many of the printer's features may be set using menus available on the front panel of the printer.

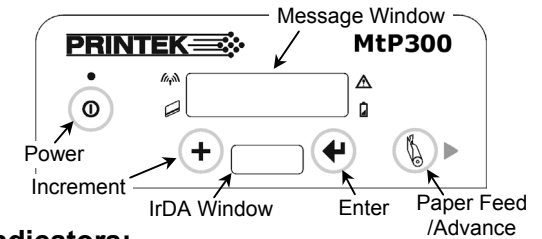
For complete details, please refer to the *MtP300 Series Operator's Manual*.

To enter the Setup Mode, press and hold the **Enter** Button while turning on the printer with the **Power** Button. Continue to hold the **Enter** Button until "Menus Active" is displayed.

While in Setup Mode, the power indicator will blink slowly. Upon entering Setup Mode, the FORMAT MENU is shown first. To advance to the INTERFACE MENU or OPTIONS MENU, press the **Advance** Button.

When in Setup Mode, the current menu item is shown on the top line, and its corresponding value is shown on the bottom line. To increment the value on the bottom line to the next setting, press the **+** Increment Button. To advance to the next menu item, press the **Enter** Button.

To exit Setup Mode, press the **Advance** Button until "Exit Setup" is displayed. Press the **Enter** Button to save the changes and return to normal printer operation.



Indicators:

- Power On = Ready to print, Slow Flash = Setup Mode, Short Flash = Power Saving Stand By Mode.
- Wireless I/O Enabled and Connected.
- Magnetic Card Reader: Ready for swipe.
- Error: See messages, below.
- Battery: On = Charging, Flashing = Battery Low.

Printer Setup Menus

- Use the **Advance** Button to access the next menu. (Also see + note below)
- Use the **+** Increment Button to increment the value displayed on the bottom line.
- Use the **Enter** Button to accept the value displayed and advance to the next feature.

FORMAT MENU

Up to 5 formats can be stored

Format Name
Up to 16 Characters⁺

Font
SansSerifA
4.2, 5.5, 10.2, 10.7, 18.5, 20.3;
Courier
12.7, 13.5, 14.5, 15.6, 16.9*,
18.5, 20.3, 22.6, 25.4

Spacing
0 - 10, 3*

Left Margin
0* - 1.0244"

Right Margin
0* - 1.2608"

Print Contrast
-75 to +125, 0*

Max Paper Speed
0.32 to 3.30* ips

Form Feed Distance
0 - 2.5216", 1.2608*

Mark Sensing
Front*, Back, Gap

Mark Sensitivity
-10 to +10, 0*

Gap Sensitivity
-10 to +10, 0*

INTERFACE MENU (IrDA, Bluetooth, or Wi-Fi are only available if that option is installed)

Serial	IrDA	Bluetooth	Wi-Fi
Emulation Printek*, O'Neil, ZPL-II, Mt3, CPCL Hex Dump	Emulation Printek*, O'Neil, ZPL-II, Mt3, CPCL, Hex Dump	Emulation Printek*, O'Neil, ZPL-II, Mt3, CPCL, Hex Dump	Emulation Printek*, O'Neil, ZPL-II, Mt3, CPCL, Hex Dump
Baud Rate 9600, 19200, 38400, 57600*		Pairing Mode Paired*, Unpaired	WLAN Type Infrastructure*, Peer-to-Peer
Data Bits 7, 8*		Pin 0*, Up to 16 Numeric Chars.*	WLAN Channel 1* - 14
Stop Bits 1*, 2		Security Off*, On	WLAN SSID any**
Parity None*, Even, Odd		Local Name MtP400**	WLAN WEP Bits 0*, 64, 128
XON/XOFF Off*, On		Address (Displayed Only)	WEP Key 10 or 26 Char. Hex String ⁺
ETX/ACK Off*, On			WLAN Auth Auto*, Open, Shared
RTS/CTS Off, On*			IP Address Assign DHCP*, Static
			IP Address 192.0.0.192**
			IP Subnet Mask 255.255.255.0**
			IP Gateway 192.168.0.0**
			Tunnel Port# 08023**

Paper Related Messages:

- Paper Door Open - Close paper door and press the **Paper Feed** Button to continue.
- Paper Fault - Insert paper or correct jam and press the **Paper Feed** Button to continue.

Magnetic Card Reader Messages:

- Swipe Card Now - Magnetic Card Reader is ready for card to be swiped.
- Card Read Ok - Card read successfully.
- Card Not Read - Card not read correctly.

OPTIONS MENU

Max Format #
1* - 5

Auto Power Down
Off*, 1 - 15 Minutes

User Language
English*, French, German

Truncate Lines
No*, Yes

Note: After exiting Setup, you may print the current Interface settings by pressing and holding the **Enter** Button until "Printing Setup" is displayed.

* Factory default value.

+ When changing the value for this feature, the **Advance** Button is used to advance to the next character/field in the value.